



PRECISION DIGITAL CALIPER IP67 MICROTECH

USER MANUAL



Calibration ISO 17025:2017

ISO 9001
BUREAU VERITAS
Certification



ISO 9001:2015

Item No	Range		Resolution	Accuracy	Display	Protection
	mm	inch	mm	μm	Digit height 9mm	IP
141085113	0-150	0-6"	0,005	± 20		IP-67
141085213	0-200	0-8"		± 20		IP-67
141085313	0-300	0-12"		± 30	IP-67	

*MAX ERROR FOR INTERNAL END DEPTH MEASUREMENTS DIN-862

BUTTON FUNCTIONS

Switching between absolute and relative measurement (display INC) or setting ZERO

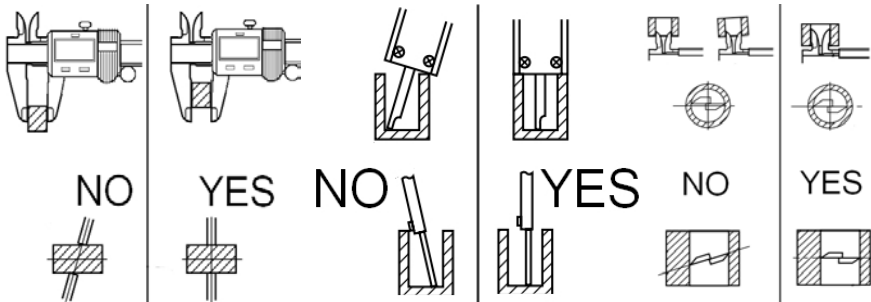
Hold measured value



Switch between metric and English measurement systems

Switching on/off or setting zero (5 sec push)

CORRECT MEASURINGS



Wipe with a clean cloth, soaked in gasoline, measuring surface of the frame and gauge calipers to remove anti-corrosion oil. Then wipe them with a clean dry cloth.

If necessary, open the battery cover; insert the battery (type CR2032) according to the polarity of the electrodes. Blinking display information or absence suggests replacing battery.

This caliper has Autoswitch on/ off function:

- move electronic module for switch on caliper
- after 10 minutes without any moving caliper will switch off

During the measurement, measuring jaws should to sum to the measured object without knocking.

During the measurement avoid warps of measuring surfaces of the instrument. Measuring surface must be fully in contact with the measurement object.



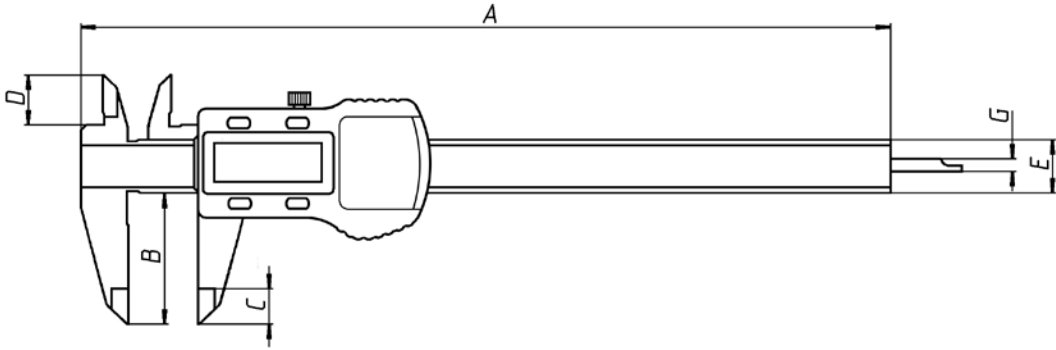
WARNING!

IN THE PROCESS OF WORKING WITH CALIPERS SHOULD BE AVOIDED:

Scratches on the measuring surfaces;

Measuring the size of object in the process of machining;

Shocks or dropping, avoid bending of rod or other surfaces.



Item No	DIMENSIONS						Display
	A	B	C	D	E	G	
	mm	mm	mm	mm	mm	mm	
141085113	235	40	10	16	16	4x1,4	Digit height 9mm
141085213	290	50	10	18	16	4x1,4	
141085313	395	60	11	21	16	4x1,4	

FUNCTIONS

IP67 ELECTRONICS
HAND FINISHED SURFACES
CR2032 3V BATTERY

MM/INCH
HOLD FUNCTION
POSITION MEMORIZED
AUTO WAKE UP & SWITCH OFF

OPTIONAL ACCESORIES

