

DIGITAL MICROMETER IP65

USER MANUAL

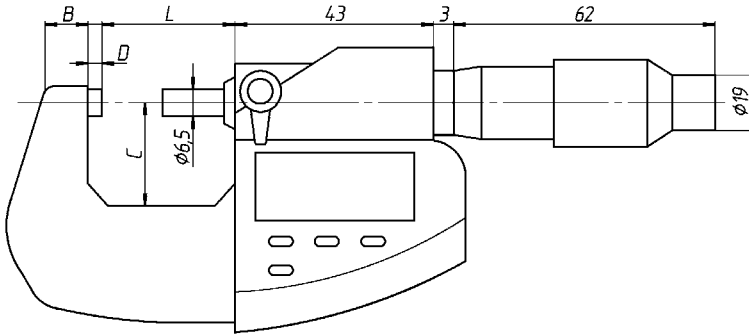


ISO17025:2017



ISO 9001:2015

Item No	Range		Resolution	Accuracy	Dimensions				Micrometer head	Protection class
	mm	inch			C	L	B	D		
110180254	0-25	0-1"	0,001	± 2	24	32	7	2	friction	IP65
110180504	25-50	1-2"		± 2	33	56	8	2		IP65
110180754	50-75	2-3"		± 2	48	85	12	2		IP65
110181004	75-100	3-4"		± 3	60	112	12	2		IP65
110181254	100-125	4-5"		± 4	73	135	14	2		IP65
110181504	125-150	5-6"		± 4	86	160	16	2		IP65
DOUBLE RANGE MICROMETER										
110180514	0-50	0-2"	0,001	± 3	33	56	8	2	friction	IP65
110181014	50-100	2-4"		± 4	60	112	12	2		IP65



FUNCTION

SET

Resetting zero in absolute measurements

O/MODE

Switching on. Switching between absolute and relative measurements. Resetting zero in relative measurements.



HOLD

Hold measured value. On /Off the measurement results to external socket

UNIT

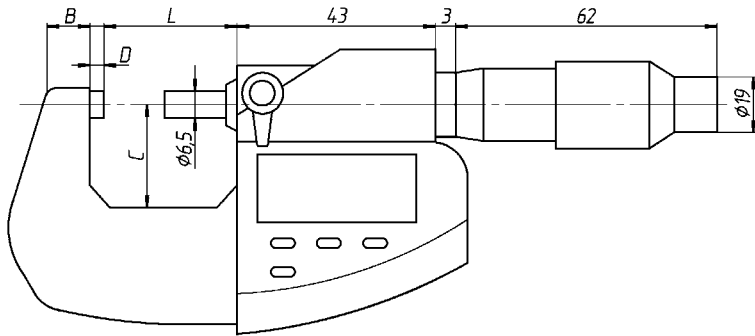
Switching between metric and English measurement systems
Long press for Switch off



1. Clean the oil from the measuring surfaces of micrometer by cloth.
2. If necessary, open the battery cover; insert the battery (*type CR2032*) according to the polarity of the electrodes. Blinking display information or absence suggests replacing battery. After battery replacement on the screen will be ----- indication. Press **SET** button for setting 0.000 .
- 3 Turn on the display by pressing **O/MODE** button.
- 4 Check the setting display to zero. Contact with each other (or with setting gauge) measuring surfaces of the anvil and the spindle, using the ratchet and take a measurement.
Rotation the micrometer screw in the direction of convergence measuring surfaces using the ratchet.
ip located at the end of screws, used only for reverse spindle.
- 5 For zero setting, press the **O/MODE** or **SET** button and hold it to reset to Zero.
- 6 After switching on, the display shows the measured value of the metric/ English system of units. Press **UNIT** button to switch between metric/ English measurement systems.
- 7 After switching on, the display shows in absolute or relative terms. Press **O/MODE** button to switch between absolute and relative measurement
- 8 During measure, thimble should rotate only by ratchet. Ensure contact of workpiece with measuring surfaces of the micrometer so tightly to ratchet cranked 2-3 times. Try to prevent warping measuring surfaces.
- 9 This micrometer has auto switch off function (10 min non using) ot press **UNIT** button during 2 sec. to switch off.
- 10 After work the measuring surfaces of the micrometer wipe with a cloth and apply anticorrosive oil.

WARNING !

- Avoid contact with the body electronics unit micrometer emulsions and oils.
- During the measurements, periodically check the zero setting micrometer.
- Do not make the rotation of the micrometer screw in close measuring surfaces using a thimble.
- Avoid shocks or falling, even with a small height.
- Do not disassemble or adjust the micrometer persons who unrelated to the repair.



MICROTECH

innovative measuring instruments

61001, Kharkiv, Ukraine, str. Rustaveli, 39

tel.: +38 (057) 739-03-50

www.microtech.ua

tool@microtech.ua

Change without prior notice