



OFFSET CALIPER IP67 MICROTECH

USER MANUAL

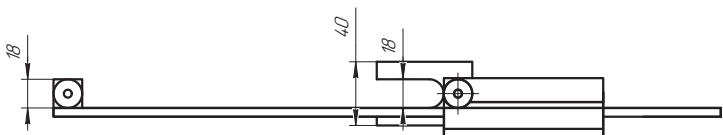
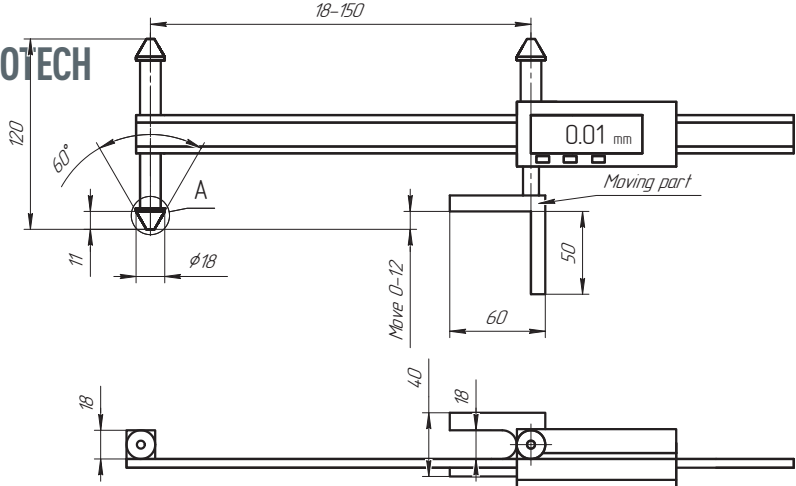


Calibration ISO 17025:2017

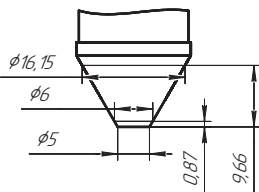
ISO 9001
BUREAU VERITAS
Certification



ISO 9001:2015



A (2:1)

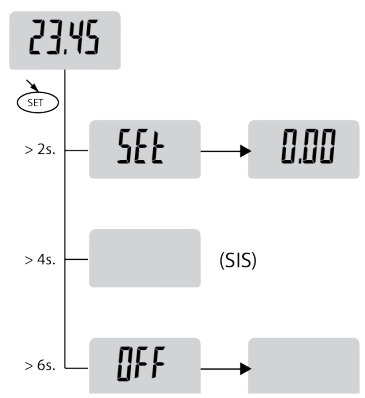
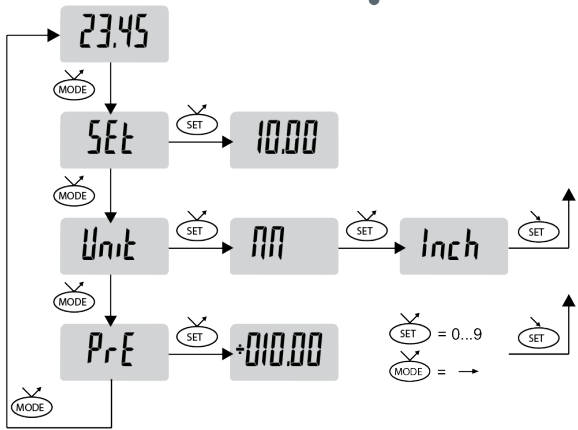


$D=6.00\text{ mm} - T_{min}$ (thickness of measured material) = 0,87 mm
 $D=16.15\text{ mm} - T_{min}$ (thickness of measured material) = 9,66 mm



BUTTON FUNCTIONS

SET DATA 0



OPERATION INSTRUCTIONS



Wipe with a clean cloth, soaked in gasoline, measuring surface of the frame and gauge calipers to remove anti-corrosion oil. Then wipe them with a clean dry cloth.

If necessary, open the battery cover; insert the battery (type CR2032) according to the polarity of the electrodes.

This caliper has Autoswitch on/ off function:

- move electronic module for switch on caliper
- after 10 minutes without any moving caliper will switch off

During the measurement, measuring jaws should to sum to the measured object without knocking.

During the measurement avoid warps of measuring surfaces of the instrument.

Measuring surface must be fully in contact with the measurement object

WARNING!

IN THE PROCESS OF WORKING WITH CALIPERS SHOULD BE AVOIDED:

Scratches on the measuring surfaces;

Measuring the size of object in the process of machining;

Shocks or dropping, avoid bending of rod or other surfaces.



WIRELESS DATA TRANSFER

MICROTECH Wireless caliper equipped with Built-in Wireless data output module for transfer measuring results to Android, iOS devices or Windows PC

- For **SWITCH ON** wireless module push **DATA** button (2 sec);
- Wireless logo on caliper screen, when Wireless module switch on;
- After connection caliper to MDS software, you'll see repetition of calipers screen indication on MDS software;
- Press once **DATA** button on caliper or press on MDS software results window for SAVE measuring result to software;
- Activate **ECONOMY MODE** throw MDS software. Data will be transfered only by **DATA** button push (Wireless indicator bliming only by button push).
- For **SWITCH OFF** wireless module press a **DATA** button (2 sec) or it will be switched off automaticaly during 10 minutes non use (For economy mode not necessary switch off Wireless module).

MICROTECH Wireless instruments has 2 modes of data transfer:

STANDART MODE (non stop data transfer 4data/sec, battery work in non stop data transfer up to 120h)

ECONOMY MODE (GATT) (data transfer only by Wireless button push, battery work in this mode up to 12 month (100 data transfer a day), activating throw software)

MICROTECH RECOMMEND TO USE ECONOMY MODE

